

THE BREAST CENTER CARTI

BREAST IMAGING REFERRAL FORM

Scheduling: 501.561.2327 or 501.537.6266 • Fax: 501.906.2698

PLEASE ATTACH DEMO SHEET, OFFICE NOTES AND FACESHEET. (See other requirements below).

PATIENT INFORMATION — Please Print

NAME _____

ADDRESS _____

DOB ___/___/___ EMAIL _____

PHONE _____ ALTERNATE PHONE _____

WHEN WAS LAST MAMMOGRAM/ULTRASOUND _____

WHERE WAS LAST MAMMOGRAM/ULTRASOUND _____

CLINIC INFORMATION

REFERRING PROVIDER _____

FACILITY _____

CONTACT NAME _____

PHONE _____

FAX _____

BREAST CENTER PROCEDURES

Indication: _____

MAMMOGRAM SCREENING BILATERAL LEFT RIGHT

MAMMOGRAM DIAGNOSTIC BILATERAL LEFT RIGHT

ADJUNCT TO MAMMOGRAPHY:

ULTRASOUND DIAGNOSTIC SCREENING

BILATERAL LEFT RIGHT

BREAST MRI

ULTRASOUND GUIDED CORE NEEDLE BIOPSY

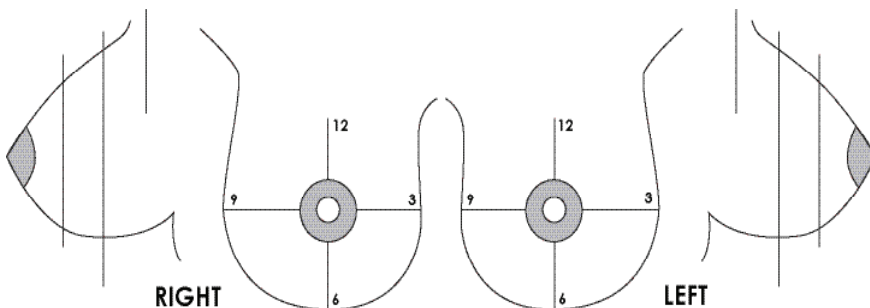
ULTRASOUND GUIDED ASPIRATION

STEREOTACTIC GUIDED CORE NEEDLE BIOPSY

MRI GUIDED CORE NEEDLE BIOPSY

MARK AREA(S) OF CLINICAL CONCERN

- Right breast at _____ o' clock
- Left breast at _____ o' clock



Please provide the following records as soon as possible to avoid delays in scheduling:

- ✓ Most Recent Mammogram Images and Report
- ✓ All Available Images, Reports, Relevant Dx History

Biopsies cannot be scheduled until all records have been received.

NOTE: You will be notified when the patient has been scheduled.

Physician Signature: _____

Date: _____

- I approve additional follow up diagnostic studies as recommended by the radiologist including but not limited to diagnostic mammogram, ultrasound, ultrasound with cyst aspiration, needle biopsy and a 6 month follow-up.

THE BREAST CENTER CARTI

BREAST SURGICAL CONSULT ORDER FORM

Scheduling: 1.800.482.8561 or 501.537.8650 • Fax: 501.537.8787 • CCCReferrals@CARTI.com

PLEASE ATTACH DEMO SHEET, OFFICE NOTES AND FACESHEET.

PATIENT INFORMATION — Please Print

NAME _____

ADDRESS _____

DOB ___/___/___ EMAIL _____

PHONE _____ ALTERNATE PHONE _____

APPOINTMENT DETAILS

Jerri Fant, M.D., F.A.C.S.
North Little Rock, Little Rock

Yara Robertson, M.D., F.A.C.S.
Pine Bluff, Little Rock

Eric Burdge, M.D., Ph.D., F.A.C.S.
Conway, Russellville, El Dorado, Little Rock

No Preference

REASON FOR REFERRAL

DIAGNOSIS _____

CLINIC INFORMATION

REFERRING PROVIDER _____

FACILITY _____

CONTACT NAME _____

PHONE _____

FAX _____

TO REFER, PLEASE INCLUDE THE FOLLOWING:

Demographic Sheet (most recent)

H & P/Office Notes

Final Pathology Report (Including ER, PR and HER2)

Radiology Report and Images

Genetic Test Report, if applicable

NOTES: _____

Note: You will be notified when the patient has been scheduled.